

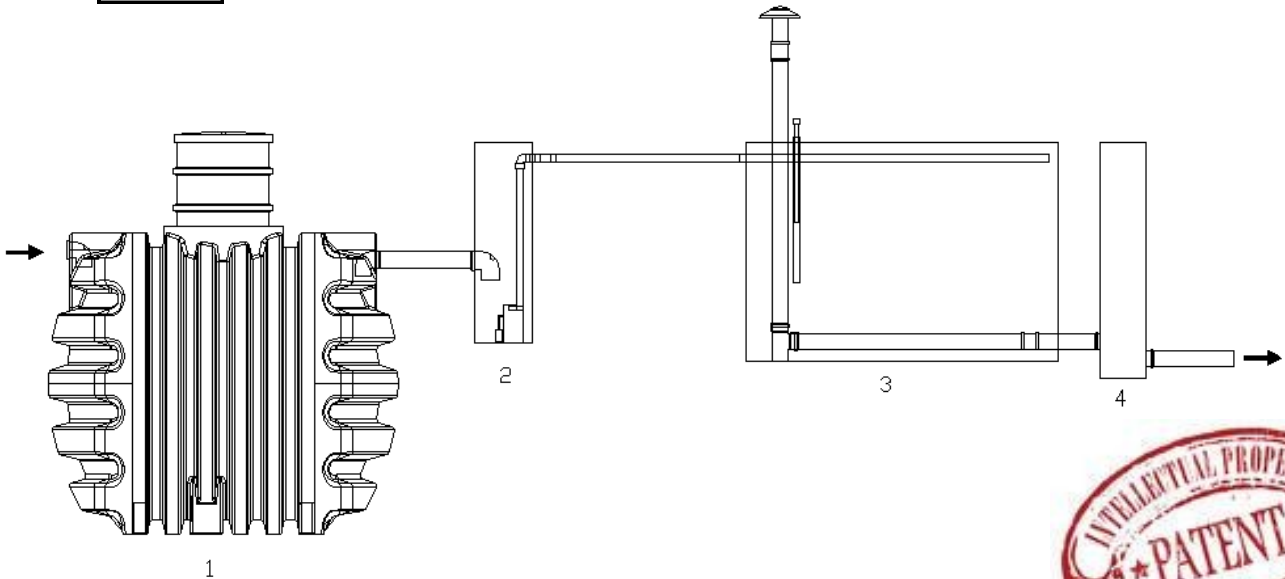
# BORA-CLEAN FILTER

NIEUW



EN 12566-3+A2-2013

## BORA-CLEAN FILTER 5 EXTENSIVE WASTEWATER TREATMENT



- Suitable for irregular load such as campsites and holiday homes.
- Consistent of a 3D EPDM foil (3), filled with a natural filter medium.
- EPDM applies to the latest legislation and is 1,5 mm thick.
- EPDM welded in stead of glued.
- No adjustment necessary. Start automatically.
- Kit, easy and cheap to install.
- Standard for 5 PE.
- Cheapest in maintenance.
- Low sludge deposition, high purification efficiency.
- Easy to maintain: no loose parts that need to be cleaned or that may block.
- No additives needed at startup or during use.
- To install after a pre-treatment of 6.000 (1) litre and a pumping station of 130 litre (2). After the filter is a sampling pit installed (4).
- Extensive system.
- ONLY 0,83 m<sup>2</sup> PER INHABITANT !!
- For occupation > 5 PE, easy to install one or more parallel, by means of a effluent dispenser.
- Only 2,2 kwh/year/person !!

**The best purification  
ever (proved by a  
German toplabo)**

### Boralit NV

Nijverheidslaan 12 B-9880 Aalter - België—2017

Tel.: + 32 (0)9 375 11 11 Fax: +32 (0)9 375 22 22

E-mail: sales@boralit.com

www.boralit.com

# BORALIT

plastic tank solutions

# BORA-CLEAN FILTER



1 PRE-TREATMENT 6.000 LITER  
LxWxH: 2.400 x 2.070 x 2.500 mm



2 PUMPING STATION 130 LITER  
LxWxH: 400 x 400 x 1.300 mm



3 BORA-CLEAN FILTER 4.600 LITER  
LxWxH: 2.040 x 2.040 x 1.200 mm



4 SAMPLING PIT  
LxWxH: 315 x 315 x 1.620 mm

	Average	Minimum	Maximum	% Average
BOD	3	2	6	99,0
COD	27	18	39	96,2
SS	7	<5	22	98,3

For more info: [info@boralit.be](mailto:info@boralit.be)

## Boralit NV

Nijverheidslaan 12 B-9880 Aalter - België—2017

Tel.: + 32 (0)9 375 11 11 Fax: +32 (0)9 375 22 22

E-mail: [sales@boralit.com](mailto:sales@boralit.com)

[www.boralit.com](http://www.boralit.com)

# BORALIT

plastic tank solutions